

CONNECTIONS AND ACCESSORIES

FOR SUCTION DEVICES

All **flow-meter™** devices used in suction applications, like vacuum regulators, Venturi suction units and water manometers, can be coupled to the terminal units through the special connections designed and made according to the various national and international standards.

VACUUM PROBES WITH THREAD CONNECTION



AFNOR NF-S 90-116 probe, thread ISO G. 1/4" F.



AFNOR NF-S 90-116 type EASYFIX® probe, thread ISO G. 1/4" F.



UNI 9507 probe, thread ISO G. 1/4" F.



BS 5682 probe, thread ISO G. 1/4" F.



DIN 13260 probe, thread ISO G. 1/4" F.



SS 875 24 30 probe, thread ISO G. 1/4" F.



JIS T 7101 probe, thread ISO G. 1/8" M.



SANS 1409 probe, thread ISO G. 1/4" F.



OHMEDA probe, thread ISO G. 1/4" F.

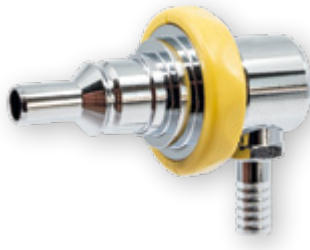
These connections to the vacuum or medical air (for Venturi units) distribution systems, on which the user operates frequent connections and detachments, must ensure high safety when used by the health professionals. The following pages contain main information regarding the available

range of probes with thread connection, for direct coupling on outlets, and hose connection, for mounting on wall rails or floor stands. Here follows we present also various types of support systems for all our kinds of collection jars, and our catheter containers too.

VACUUM PROBES WITH HOSE CONNECTION



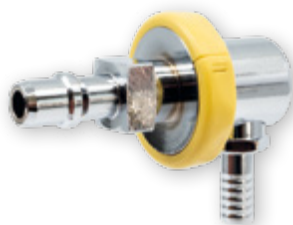
AFNOR NF-S 90-116 type **EASYFIX®** probe, hose connection Ø 7.5 mm.



UNI 9507 probe, hose connection Ø 7.5 mm.



BS 5682 probe, hose connection Ø 7.5 mm.



DIN 13260 probe, hose connection Ø 7.5 mm.



SS 875 24 30 probe, hose connection Ø 7.5 mm.



JIS T 7101 probe, hose connection Ø 7.5 mm.



SANS 1409 probe, hose connection Ø 7.5 mm.



OHMEDA probe, hose connection Ø 7.5 mm.

VACUUM REGULATOR OUTLET HOSE CONNECTION



Connector for hose \varnothing 7.5 mm,
ISO G. 1/2" F. inlet thread.

RAIL CLAMPING SYSTEMS



ABS clamp bracket for rail 30x10 mm
and 50x10 mm, with nipple threaded
ISO G. 1/4" F. and hose connector
 \varnothing 7.5 mm.



ABS clamp bracket for rail 30x10 mm
and 50x10 mm, with slide 25x5 mm,
30x5 mm or 45x5 mm.



Anodized aluminum wedge for OHMEDA
rail clamp bracket, with nipple threaded
ISO G. 1/4" F. and hose connector
 \varnothing 7.5 mm.



Anodized aluminum OHMEDA rail clamp
bracket.



Anodized aluminum wedge for OHMEDA
rail clamp bracket, with slide 25x5 mm,
30x5 mm or 45x5 mm.

WALL BRACKETS



ABS wall bracket, slide 25x5 mm.



ABS wall bracket, slide 30x5 mm.



ABS wall bracket, slide 45x5 mm.

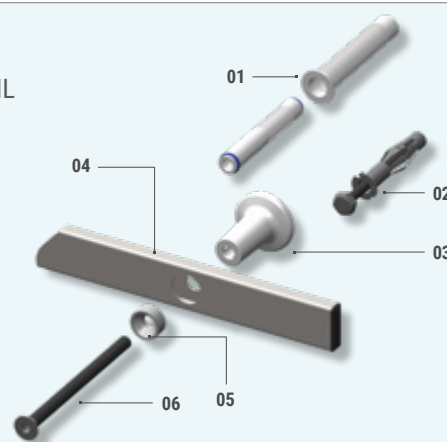
STAINLESS STEEL RAIL



Stainless steel rail 30x10 mm, brushed, with spacers and fittings, various lengths.

DIRECTORY - COMPONENTS DETAIL

- 01. Chemical fixings
- 02. Plasterboard fixings
- 03. Rail spacer
- 04. Rail
- 05. Bolt washer
- 06. Bolt



CATHETER CONTAINERS

flow-meter™ catheter containers are accessories allowing the operators to put down in a hygienic way the suction hose during their activity. They are made with tube of polycarbonate Ø 54 mm by 400 mm length, and they are fully autoclavable (121 °C - 15 min.).

Moreover these containers can be placed in a specific support ring for rail or trolley, in a single or twin construction.



SINGLE CONSTRUCTION



TWIN CONSTRUCTION