



Magnetic transmission flowmeters type TMW

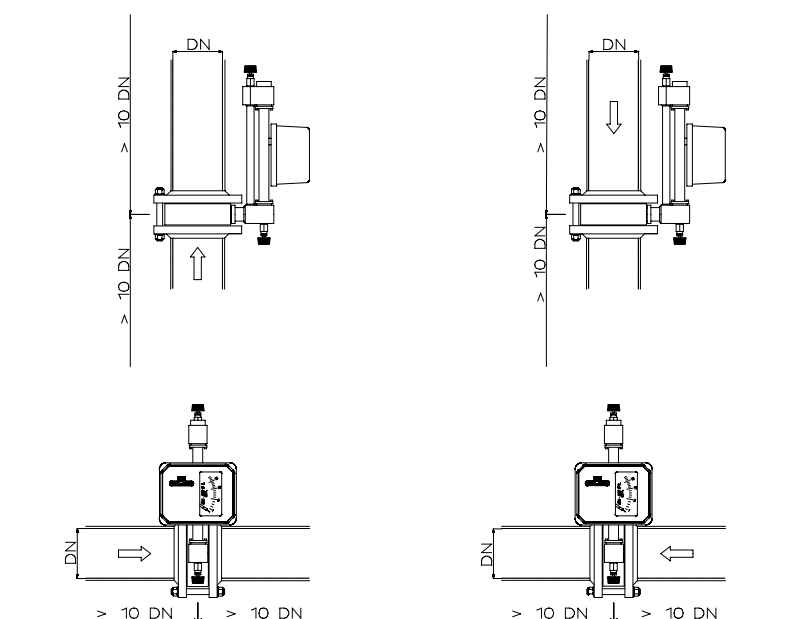
The indirect reading flowmeters type TMW are instant flow measuring devices with the reading pointer magnetically coupled to the measuring device. The range can be read with high accuracy on the external dial that is contained, together with the magnetic group, in a weatherproof case made of shell mould casted aluminium. They are particularly suitable for fluids measurements, both liquid and

gaseous, in hard working conditions and they are often used in chemical, petrolchemical, pharmaceutical, food industries etc.

The indirect reading flowmeters type TMW can be mounted both on horizontal pipelines, with right or left flow, and on vertical pipelines, with upwards or downwards flow. Other features besides the ones already mentioned are:

- carbon steel or stainless steel body;
- standard construction up to PN10;
- max. working temperature: 120° C.;
- accuracy: $\pm 5\%$ E.O.S.;
- graduated scale stating the range or the percentage.

Instruments with other features can be manufactured at request.



Type TMW line mounting examples



FEATURES

Accuracy	± 5% V.F.S.
Max. working pressure	PN 10
Max. working temperature	120° C.
Cut-off tap by-pass type	

ACCESSORIES

P.T.F.E. gaskets
Separate measuring device to be connected at distance
Float made of HASTELLOY C or TITANIUM
Construction up to PN 64

TYPE	WATER Maximum flow m ³ /h	AIR Maximum flow Nm ³ /h 1013 mbar	FLANGE A	
			UNI PN 6 ÷ PN 64	ANSI 150 LB ÷ 300 LB
TMW 40	30	450	DN 40	1" 1/2
TMW 50	45	700	DN 50	2"
TMW 65	75	1200	DN 65	2" 1/2
TMW 80	110	1800	DN 80	3"
TMW 100	170	2800	DN 100	4"
TMW 125	270	4500	DN 125	5"
TMW 150	400	6500	DN 150	6"
TMW 200	700	11000	DN 200	8"
TMW 250	1100	18000	DN 250	10"