

DN 32 UNI PN 10 AISI

Magnetic transmission flowmeters type TM/D

The TM/D series flowmeters for direct readings are instant flow meters with magnetic coupling of the measuring element. The flow rate can be read with great accuracy on the external LCD which, together with the magnetic unit, is held in a sealed, mould-cast aluminium case. Particularly suitable for measuring fluids, both liquid and gaseous, under heavy working conditions, these instruments can be used in a wide range of applications in the chemical, petrochemical, pharmaceutical and food processing industries, etc. The TM/D series flow meters for direct readings are designed to be fitted on vertical pipes with rising flows. They can also supply clean electrical exchange signals for flow alarms (No alarm, minimum contact (Q1), maximum contact (Q2), minimum and maximum contact (Q1 + Q2),

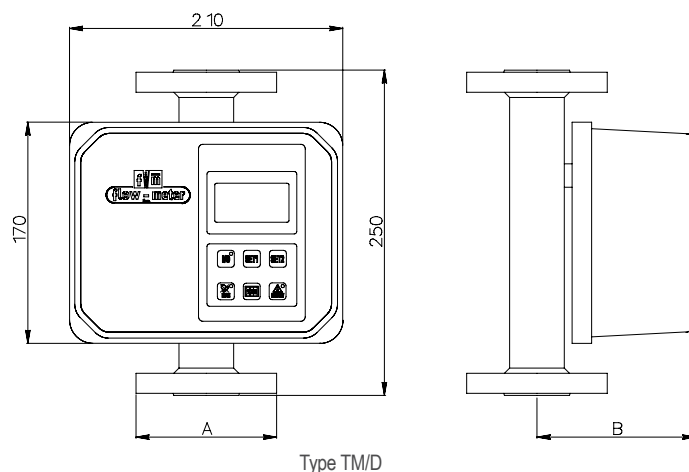
bistable contact (Qmin and Qmax)), which can be set with a keypad on the entire scale, as well as a 4-20 mA or 0-10 V electrical output signal proportional to the flow rate, besides displaying the total flow. By pressing the pushbuttons SET1, SET2 and 123 it is possible to set:

- the time within which the alarm signal must be triggered (from 0 to 10 s);
- the enabling or disabling of the alarm buzzer: if the set limits are exceeded an acoustic warning can be emitted, which can be turned OFF with a pushbutton, or the alarm can be signalled merely by the flashing of the alarm indicator and the LED on the MUTE pushbutton;
- the flow rate indication delay time (from 0 to 10 s);
- the output signal delay time (from 0 to 10 s);

- the selection of the output signal (4-20 mA or 0-10 V);
- the toggling ON/OFF of the decimal figure indicator;
- the keypad block, to avoid accidental or unwanted commands.

Other features, besides those already mentioned are:

- carbon steel or stainless steel flange
 - standard construction up to PN10;
 - maximum working temperature: 120° C.;
 - accuracy: $\pm 5\%$ E.O.S.;
 - graduated flow scale or percentage.
- Instruments with other features can be provided on request.



Registered Office and Factory Address: Flow Meter Spa - Via del Lino, 6 - 24040 Levate - Bergamo - ITALY

Ph. +39 035 594047 | Fax +39 035 59482 | info@flowmeter.it | industrial.flowmeter.it | www.flowmeter.it | VAT. N. IT01737040160



FEATURES

Accuracy	± 5% V.F.S.
Max. working pressure	PN 10
Max. working temperature	120° C.

ELECTRICAL SPECIFICATIONS

Voltage	235 V A.C. ± 10% 50-60 Hz
Power	15 VA
Connector	MIL-C 26482 (US)
IP class	IP 66
Software switch push button on front panel (I/O)	

ACCESSORIES

Plastic body suitable for the use with corrosive fluids
 Float made of HASTELLOY C or TITANIUM
 Construction up to PN 64

ELECTRICAL OUTPUT SIGNALS

Exchange contacts SPDT	Max. 250V A.C. 0,5A
Analogic voltage output	0-10 V D.C.
Maximum charge	1 KOhm
Analog current output	4-20 mA
Minimum charge	250 Ohm

TYPE	WATER Maximum flow m ³ /h	AIR Maximum flow Nm ³ /h. 760 mmHg	FLANGE A		B
			UNI PN 6 ÷ PN 10	ANSI 150 LB ÷ 300 LB	
TM/D 15	1,5	45	DN 15	1/2"	125,5
TM/D 20	2	55	DN 20	3/4"	128
TM/D 25	4	120	DN 25	1"	132
TM/D 32	6	180	DN 32	1" 1/4	136
TM/D 40	10	300	DN 40	1" 1/2	139
TM/D 50	15	400	DN 50	2"	145
TM/D 65	25	750	DN 65	2" 1/2	151,5
TM/D 80	40	1200	DN 80	3"	159,5
TM/D 100	90	2500	DN 100	4"	182