

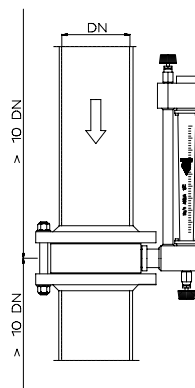
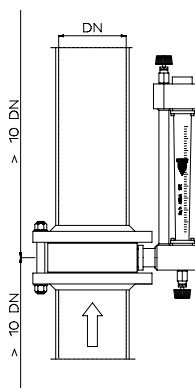
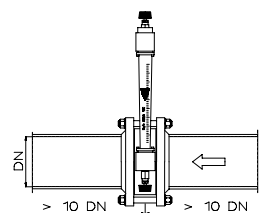
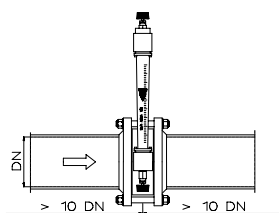
Indirect reading flowmeters type SW

The by-pass type flowmeters of the SW series are instant flow measuring devices, suitable for medium and medium-large flows of liquid and gaseous fluids. The flow measurement can be read with great accuracy on the graduated scale,

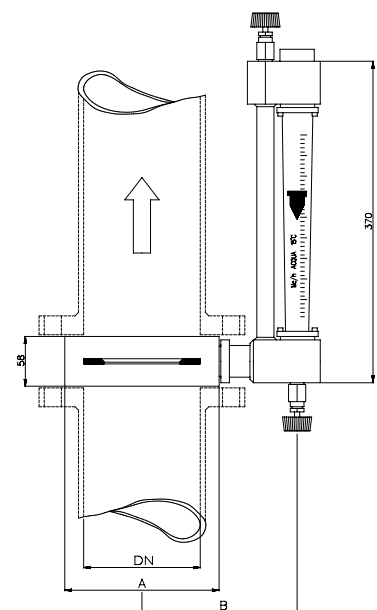
imprinted on the conical borosilicate JENA glass tube. They can be mounted either on horizontal or vertical pipelines, with upward or downward flow, or with right or left flow. Other features, besides the ones already men-

tioned are:

- possibility of mounting the measuring tube remotely, distant from the annular chamber;
- reading accuracy of about $\pm 5\%$ E.O.S;
- resistance to pressures up to 10 bar.



Line mounting examples





FEATURES

Accuracy	± 5% E.O.S.
Working max. pressure	10 bar
Working max. temperature with standard gaskets	metal body: 120° C. Polypropylene body: 100° C.
By-pass type needle valve (only for metal bodies)	
PMMA front cover	

ACCESSORIES

Proximity transducers type "A"
P.T.F.E. gaskets
Separate meter to be connected at distance
Construction for low pressure loss

TYPE	BODY: CARBON STEEL AND S/S					
	FOR ASA FLANGES			FOR UNI FLANGES		
	DN	A	B	DN	A	B
SW 40	1" 1/2	127	148.5	40	92	128.5
SW 50	2"	101.5	134	50	107	137.5
SW 65	2" 1/2	121.5	145.5	65	127	148.5
SW 80	3"	133.5	152	80	142	156.5
SW 100	4"	171.5	172	100	162	167
SW 125	5"	193.5	183.5	125	192	182.5
SW 150	6"	219	196.5	150	218	196
SW 200	8"	276	225.5	200	273	224

TYPE	BODY: PVC AND POLYPROPYLENE					
	FOR ASA FLANGES			FOR UNI FLANGES		
	DN	A	B	DN	A	B
SW 40	1" 1/2	127	153.5	40	150	165.5
SW 50	2"	152	167	50	165	173.5
SW 65	2" 1/2	121.5	150.5	65	127	153.5
SW 80	3"	133.5	157	80	142	161.5
SW 100	4"	171.5	177	100	162	172
SW 125	5"	193.5	188.5	125	192	187.5
SW 150	6"	219	201.5	150	218	201
SW 200	8"	276	230.5	200	273	229