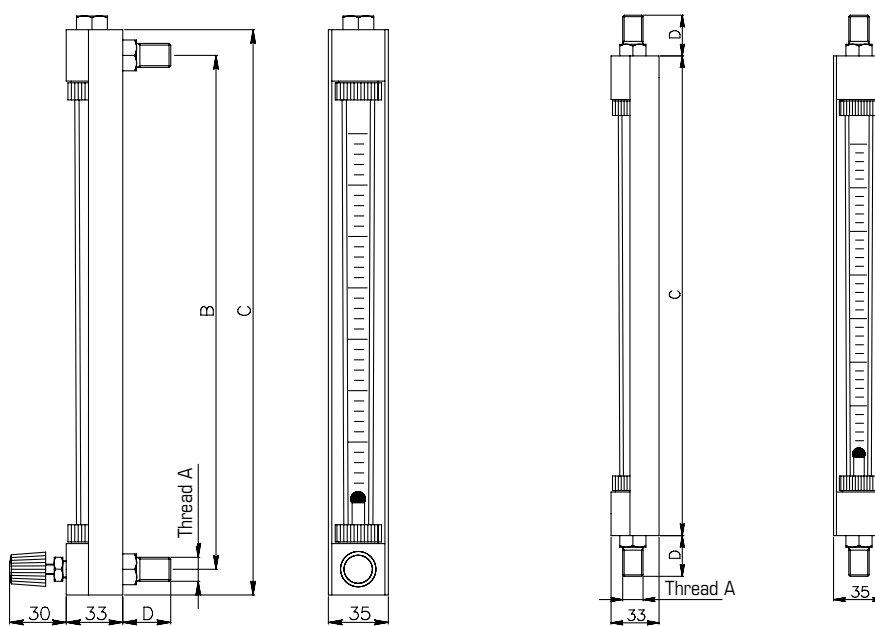


Direct reading flowmeters type LB

The flowmeters type LB are instant flow measuring devices suitable for little flows of liquid and gaseous fluids. The flow measurement can be read with great accuracy on the graduated scale which can be fixed behind the conical borosilicate JENA glass tube. The bodies can have square connections for

panel mounting, with or without needle valve, or axial connections, without needle valve. Other features, besides the ones already mentioned, are:

- metal back protection;
- resistance to high changes of temperature.



Square connections

Axial connections



FEATURES

Accuracy	± 5% V.F.S.
Working max. pressure	10 bar
Working max. temperature with standard gaskets	metal body: 120° C.
Adjusting needle valve (only for constructions with square connections and metal body)	

ACCESSORIES

Adjusting alarm photocell type "A"
PMMA front cover
P.T.F.E. gaskets

TYPE	AIR Maximum flow NL/h 1013 mbar	WATER Maximum flow L/h	THREAD A	B	C	D	GLASS TUBE
LB 2	40	1,5	G 1/4" - G 3/8"	324	350	30	3x3,5x300
LB 3	200	7	G 1/4" - G 3/8"	324	350	30	3x4x300
LB 4	350	12	G 1/4" - G 3/8"	324	350	30	4x5x300
LB 5	450	15	G 1/4" - G 3/8"	324	350	30	6x7x300
LB 6	1000	35	G 1/4" - G 3/8"	324	350	30	8x9x300
LB 7	3000	100	G 1/4" - G 3/8"	324	350	30	10x12x300
LB 8	4000	140	G 1/4" - G 3/8"	324	350	30	12x14x300