

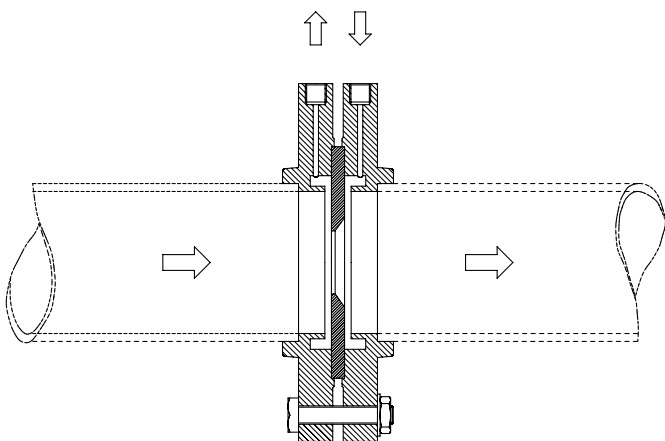


Calibrated flanges type FT

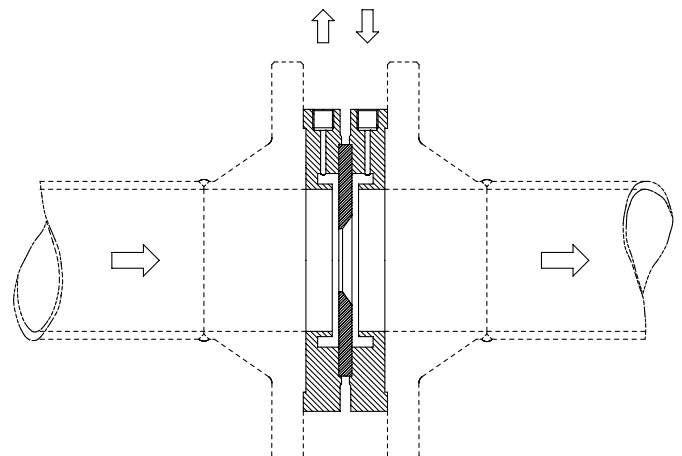
The calibrated flanges type FT are instant flow measuring devices composed of a primary element, constituted by a narrowing part (diaphragm), and of a secondary element, usually constituted by a differential manometer. The diaphragm, installed between the piping union

flanges, usually has a narrowing ratio included between 0.2 and 0.8. The calibrated flanges type FT have connections to be welded directly on the pipelines or they are suitable for the mounting between flanges, and the pressure outlet and inlet are got from the body. The features of these

instruments are: simplicity in installation, good accuracy, possibility of using a wide range of construction materials.



Calibrated element with ring chambers fitting pipes from DN50 to DN400 included



Calibrated element with ring chambers obtained directly in the flanges fitting pipes DN15, DN20, DN25, DN32 and DN40 included

**FEATURES**

Accuracy	± 5% V.F.S.
Working max. temperature	120° C.
Working max. pressure	PN 10
Construction at request up to PN 64 and temperatures up to 200° C.	