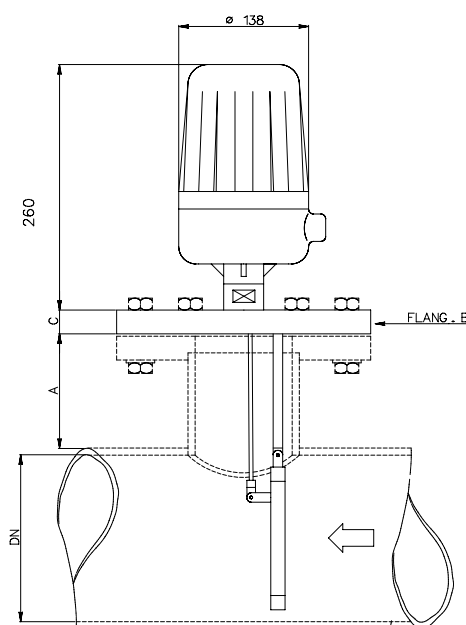


## Flowswitches type FF 40

The flowswitches type FF 40 are paddle type flowswitches for mounting on horizontal pipelines with one or two intervention points. They are suitable for all applications where there are working pressures up to 64 bar and temperatures up to 250° C. and their intervention point is adjustable on the whole working range. On request they are

supplied complete with sleeves to be welded on the pipeline. The electric part is contained in a weatherproof case made of diecasted aluminium with IP 65 protection (standard type) or in a flameproof case following EN 50.018 (CEI 31.1) - EEx-d IIB T6 - EEx-d IIB T6 (request type) with threaded electric connection 1/2" UNI 6125 F.

The flowswitches type FF 40 are supplied complete with switch groups on which only one SPDT contact is mounted. On request they can be supplied with two SPDT contacts in parallel.





BODY	Standard MAX. TEMPERATURE	MAX. TEMPERATURE with cooling fin
Carbon steel	120° C.	250° C.
S/S AISI 304	120° C.	250° C.
S/S AISI 316	120° C.	250° C.

TYPE	A	FLANGE B		DN	C
		PN16 - UNI 2223	ANSI B16.5 - 150 LB		
FF 40	85	DN 50-DN 65 DN 80-DN 100	2" - 2" 1/2 - 3" - 4"	≥ DN 80	Standard thickness: see tables UNI-ANSI