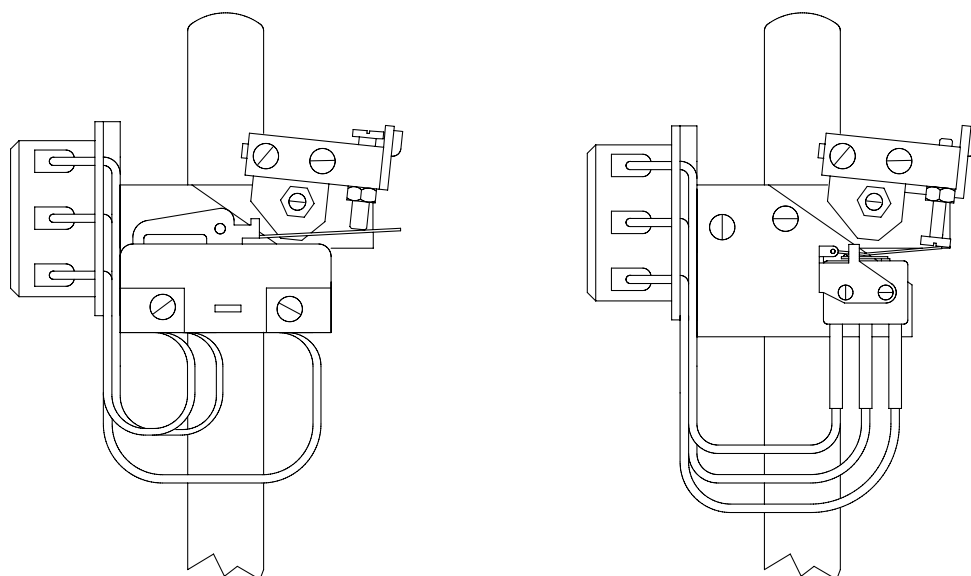
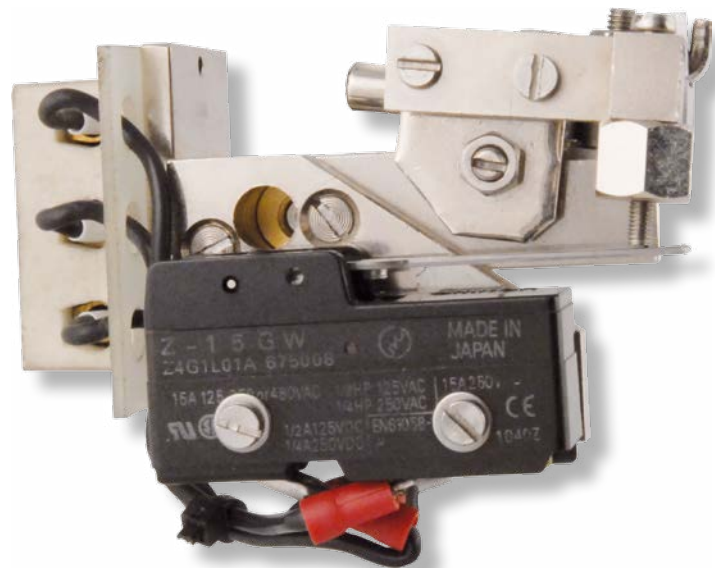
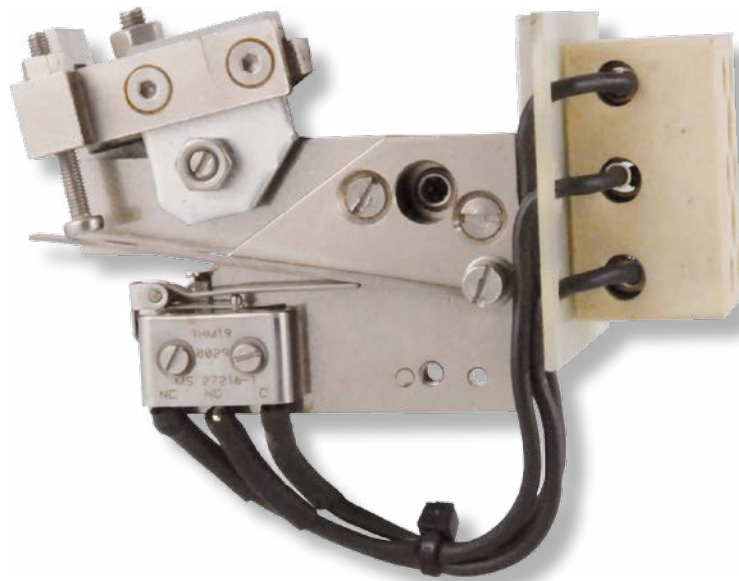




Electrical switch groups and accessories





ELECTRICAL VALUES

TYPE	V	A	Hz	FOR TYPE
Dry microswitch	500	5	50 - 60	CF-IF50-IF70-FF40
Microswitch sealed in inert gas	115	3	50 - 400	CF-IF50-IF70-FF40
Hg bulb	250	5	50 - 60	CF-IF50-IF70-FF40
Weatherproof sealed microswitch	500	5	50 - 60	CF-IF50-IF70-FF40

ACCESSORIES

Cooling fin to extend the working temperature max. value	CF - IF50 - IF70 - FF40
Flameproof electric case EN 50.018 (CEI 31.1) - EEx-d IIB T6 - EEx-d IIC T6	CF - IF50 - IF70 - FF40